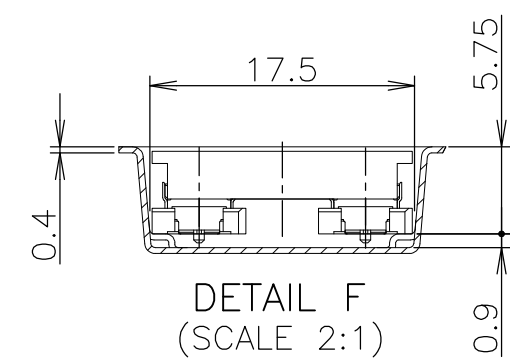
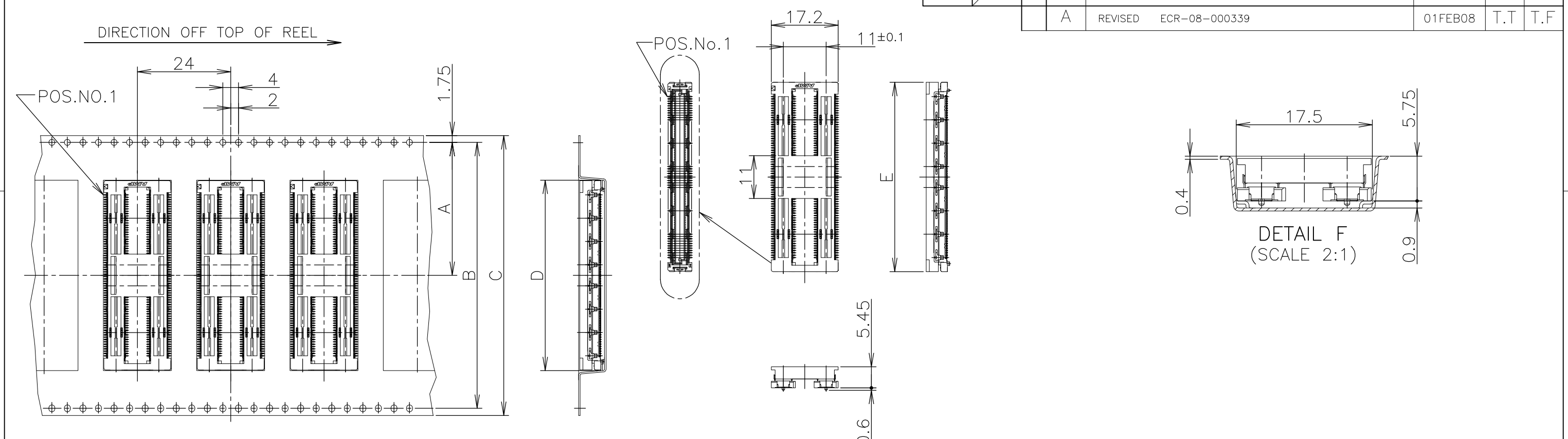


THIS DRAWING IS UNPUBLISHED. RELEASED FOR PUBLICATION JUN , 1996.
 © COPYRIGHT 1996 BY TYCO ELECTRONICS CORPORATION. ALL RIGHTS RESERVED.

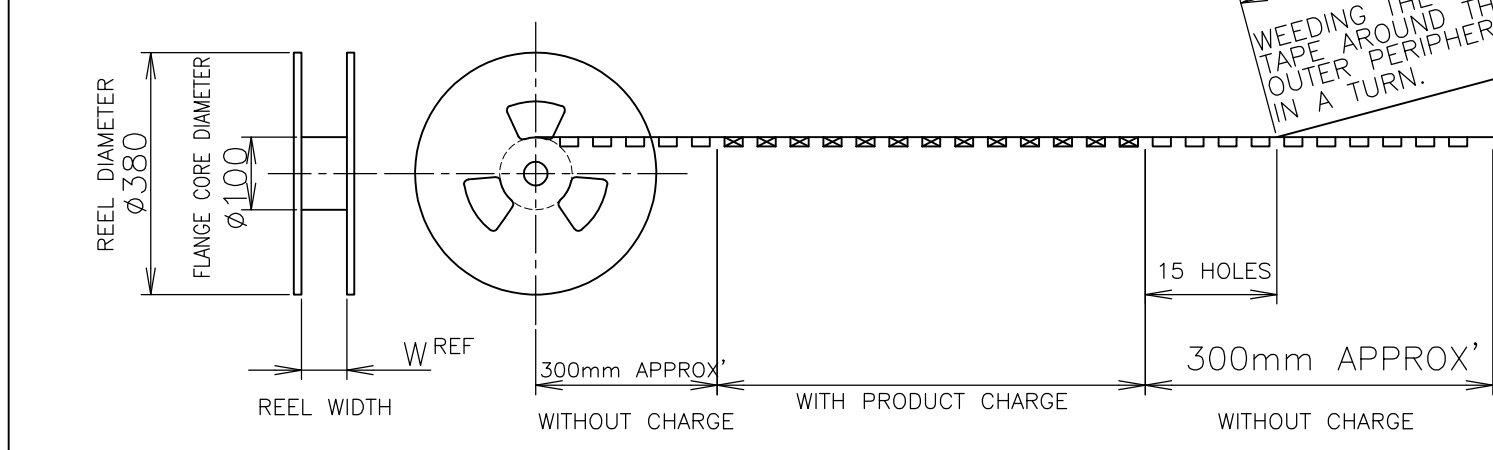
LOC	DIST	REVISIONS			DATE	DWN	APVD
		P	LTR	DESCRIPTION			
J		A	REVISED	ECR-08-000339	01FEB08	T.T	T.F



CONNECTOR DETAIL

SEE DETAIL F

WEEDING THE COVER TAPE AROUND THE OUTER PERIPHERY IN A TURN.



SEALANT	NOT AVAILABLE	550	77.5	54.7	55	72	68.4	34.2	320	6-5353231-1
	AVAILABLE	↑	77.5	48.7	49	72	68.4	34.2	280	6-↑-0
NON SEALANT	NOT AVAILABLE		61.5	42.7	43	56	52.4	26.2	240	5-↑-9
	AVAILABLE	550	61.5	36.7	37	56	52.4	26.2	200	5-5353231-8
NON SEALANT	NOT AVAILABLE	550	77.5	54.7	55	72	68.4	34.2	320	1-5353231-1
	AVAILABLE	↑	77.5	48.7	49	72	68.4	34.2	280	1-↑-0
NON SEALANT	NOT AVAILABLE		61.5	42.7	43	56	52.4	26.2	240	↑-9
	AVAILABLE	550	61.5	36.7	37	56	52.4	26.2	200	5353231-8
SEALANT	TOOLING STATUS	QTY.	W	E	D	C	B	A	POS.	PART NO.

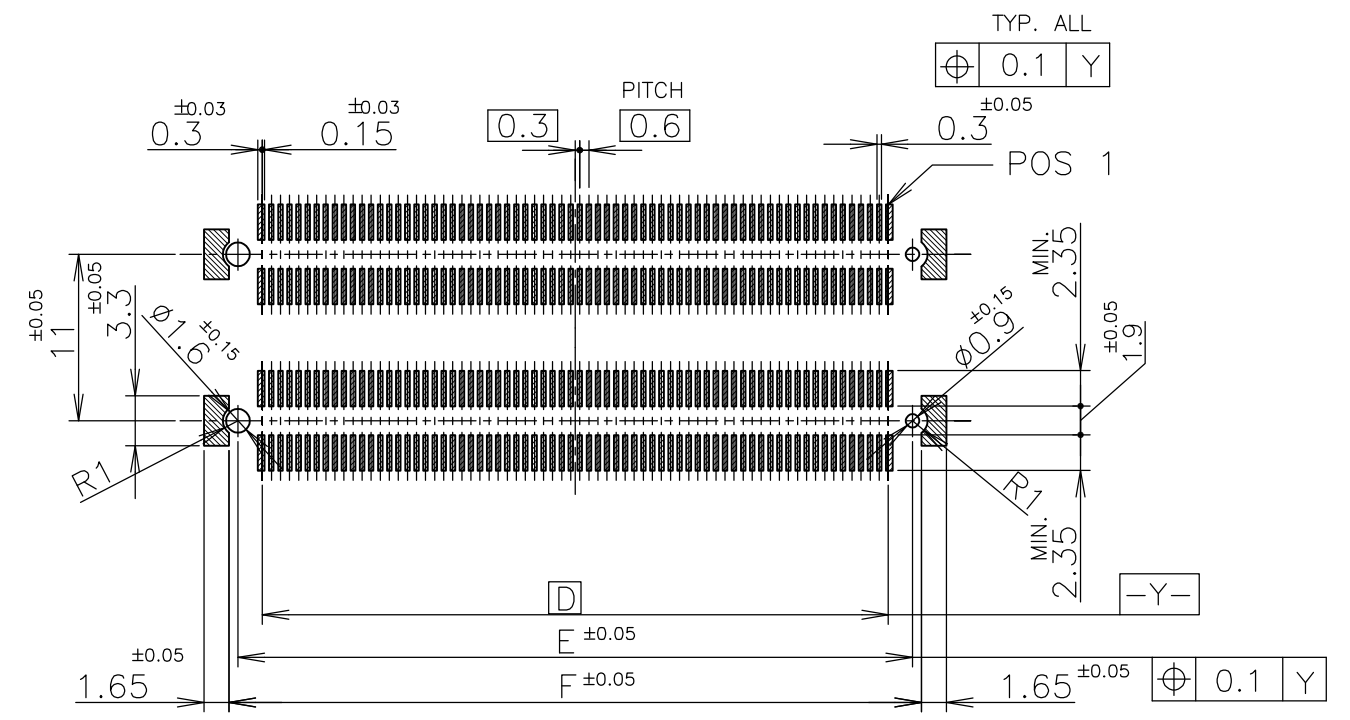
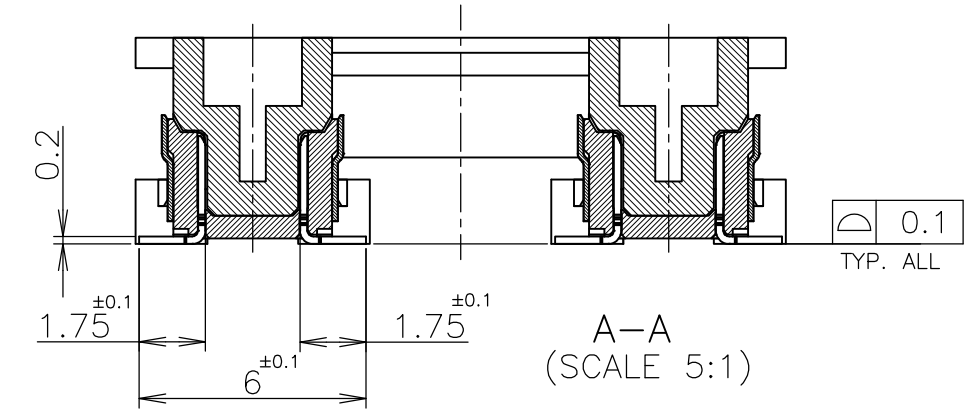
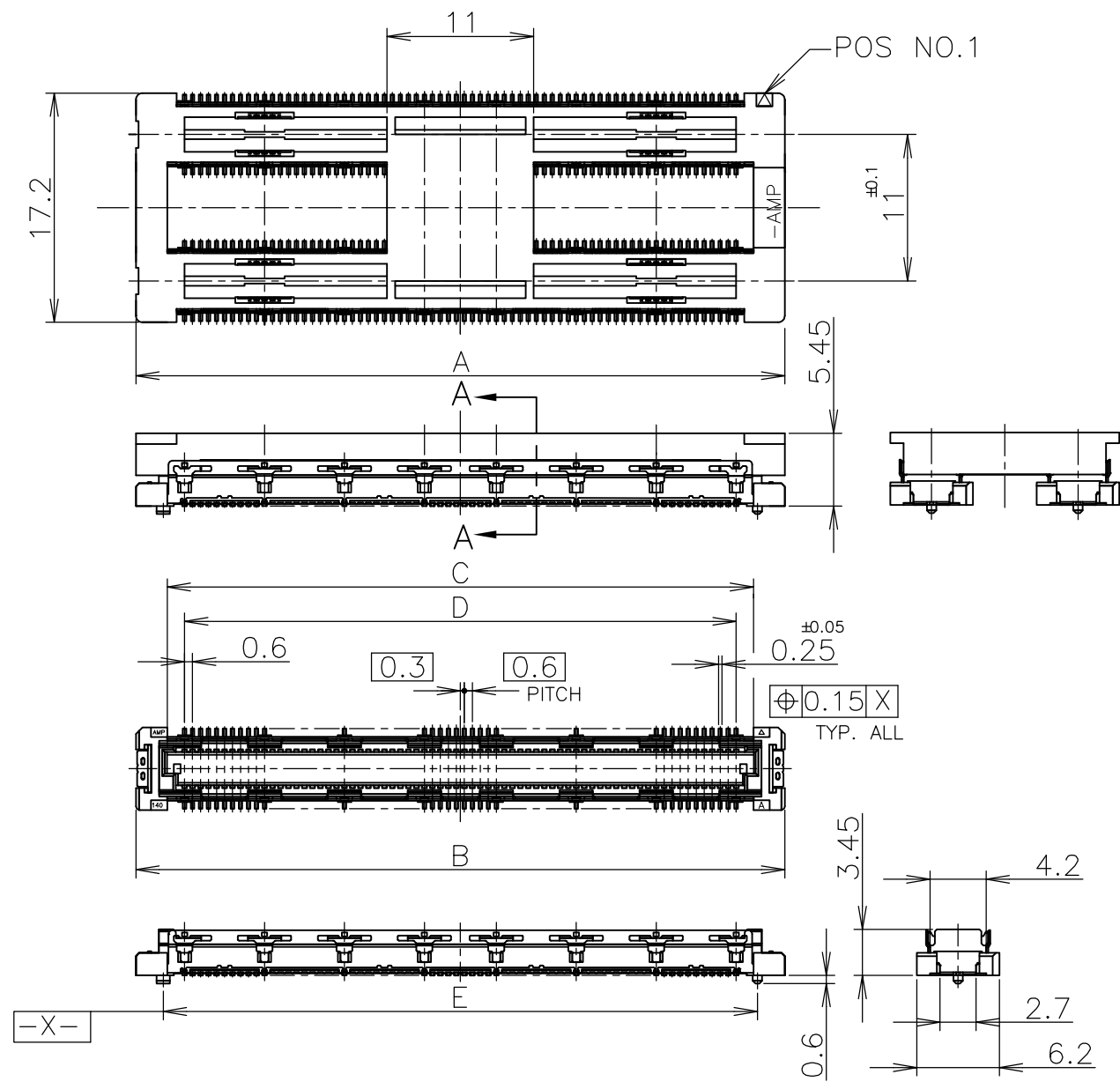
THIS PRODUCT WAS COATED BY FLUX-PENETRATION-INHIBITING AGENT.

THIS DRAWING IS A CONTROLLED DOCUMENT.

DWN HAWKING HE 14DEC04	Tyco Electronics Tyco Electronics Corporation Kawasaki, Japan
CHK STEVEN YAO 14DEC04	
APVD I.ENOMOTO 14DEC04	NAME 名称 EMBOSS ASSY
PRODUCT SPEC 製品規格 108-60047	FH 0.6BTB CONNECTOR
APPLICATION SPEC 取付適用規格 114-5255	PLUG 4H 2ROW TYPE W/G-PLATE
MATERIAL 材料	FINISH 仕上
WEIGHT	SIZE A3
CUSTOMER DRAWING	CAGE CODE 00779
	DRAWING NO 番号 G-5353231
	RESTRICTED TO
SCALE 尺度 1:1	SHEET 1 OF 3
	REV A

THIS DRAWING IS UNPUBLISHED. RELEASED FOR PUBLICATION JUN , 1996.
 © COPYRIGHT 1996 BY TYCO ELECTRONICS CORPORATION. ALL RIGHTS RESERVED.

LOC	DIST	REVISIONS			DATE	DWN	APVD
		P	LTR	DESCRIPTION			
J				SEE SHEET 1	-	-	-



REFERENCE P.C. BOARD LAYOUT

NOT AVAILABLE	51.8	50.6	47.4	50	54.7	54.7	320	1-353120-1
AVAILABLE	45.8	44.6	41.4	44	48.7	48.7	280	1-1123905-0
NOT AVAILABLE	39.8	38.6	35.4	38	42.7	42.7	240	353120-9
AVAILABLE	33.8	32.6	29.4	32	36.7	36.7	200	353120-8
TOOLING STATUS	F	E	D	C	B	A	POS	CAP P/N

- ① MATERIAL ; HOUSING : HIGH TEMP THERMO PLASTIC UL94V-0
CONTACT : COPPER ALLOY
- ② FINISH ; UNDER PL Ni 0.0013mm MIN ALL OVER.
CONTACT AREA 0.0002 MIN Au PL.
SOLDERING AREA 0.001 MIN TIN PL.
- ③ THIS POSITION IS GROUND CIRCUIT.

GENERAL TOLERANCE
一般公差

10 ≥	±0.2
30 ≥	>10: ±0.25
100 ≥	>30: ±0.3
ANGLES: ±3°	

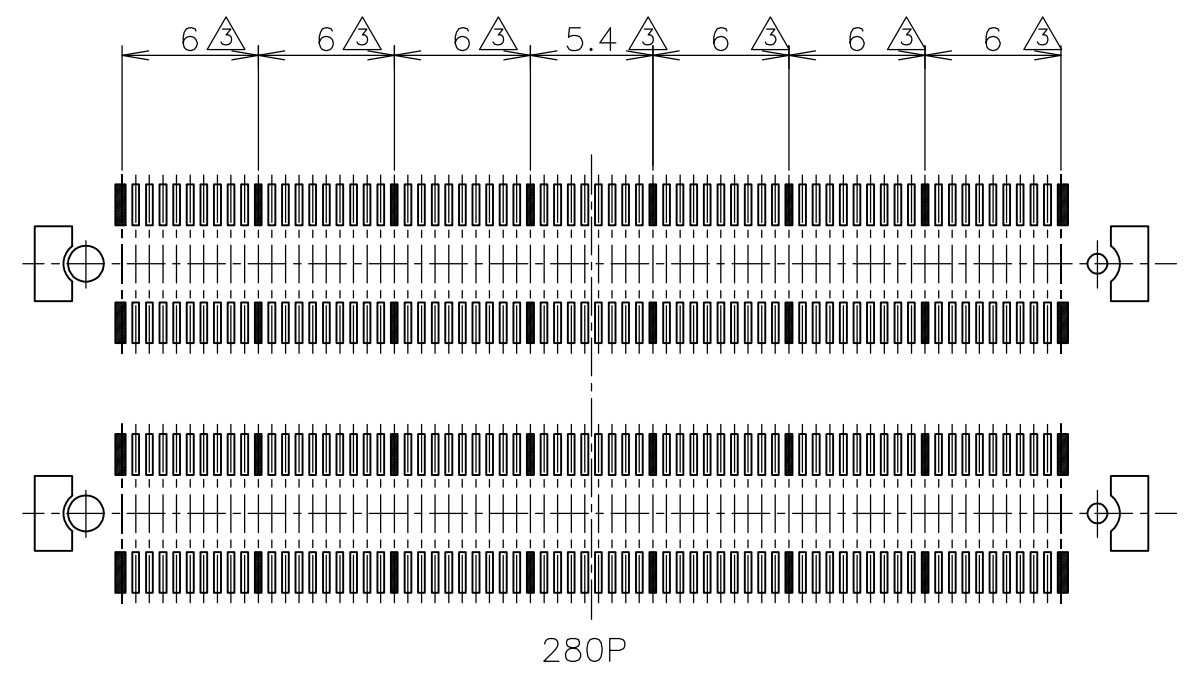
THIS DRAWING IS A CONTROLLED DOCUMENT.

DIMENSIONS: 単位: 耗 mm	TOLERANCES UNLESS OTHERWISE SPECIFIED: 一般公差	DWN	Tyco Electronics Corporation Kawasaki, Japan			
	0 PLC ±- 1 PLC ±- 2 PLC ±- 3 PLC ±- 4 PLC ±- ANGLES ±-	CHK	NAME 名称			
		APVD	EMBOSS ASSY FH 0.6BTB CONNECTOR PLUG 4H 2ROW TYPE W/G-PLATE			
MATERIAL 材料	FINISH 仕上	PRODUCT SPEC 製品規格	SIZE	CAGE CODE	DRIVING NO 番号	RESTRICTED TO
		APPLICATION SPEC 取付適用規格	A3	00779	G-5353231	
CUSTOMER DRAWING		WEIGHT	SCALE 尺度	SHEET	REV	
			2:1	2 OF 3	A	

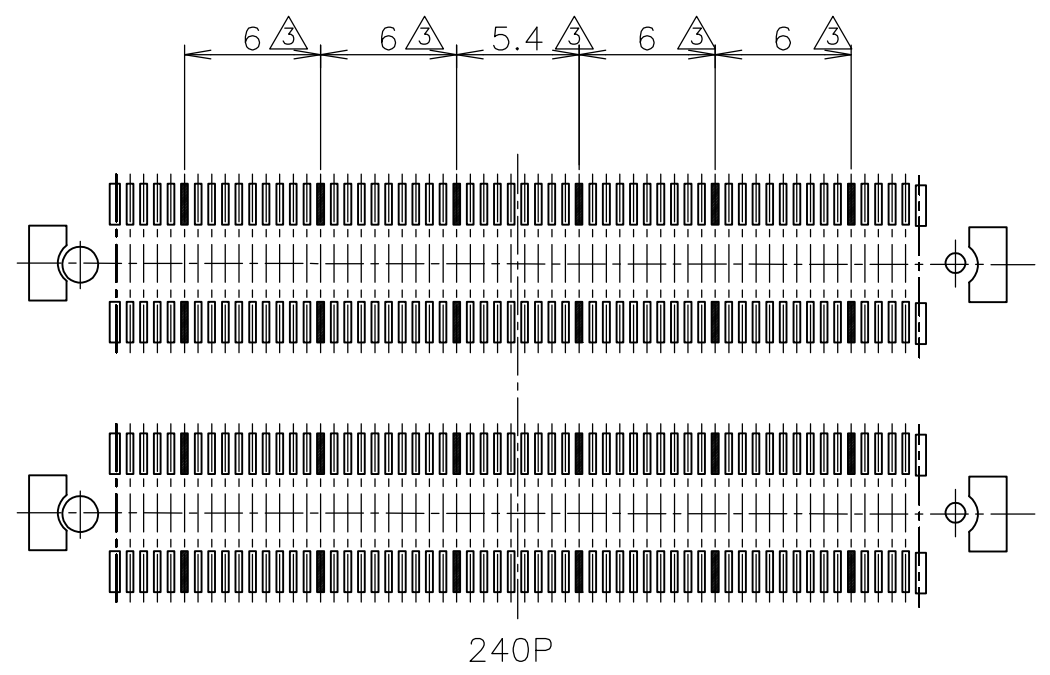
THIS DRAWING IS UNPUBLISHED. RELEASED FOR PUBLICATION JUN , 1996.

© COPYRIGHT 1996 BY TYCO ELECTRONICS CORPORATION. ALL RIGHTS RESERVED.

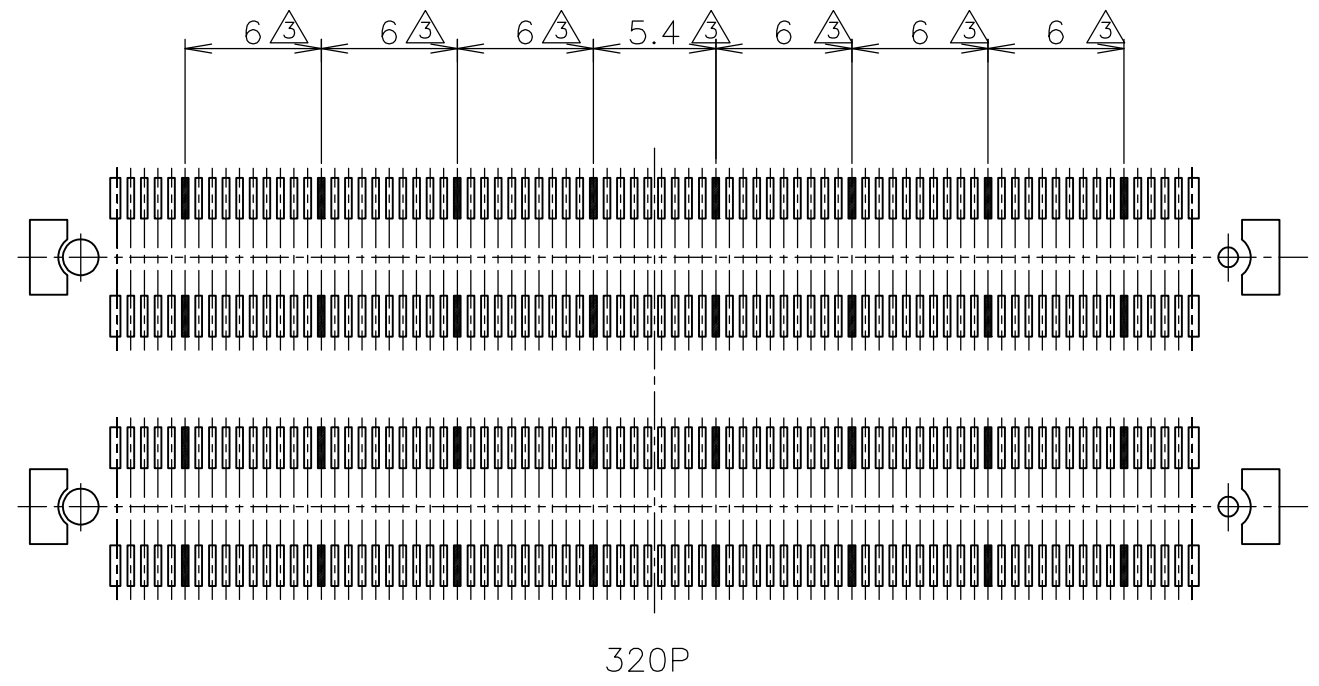
LOC	DIST	REVISIONS					
		P	LTR	DESCRIPTION	DATE	DWN	APVD
J			-	SEE SHEET 1	-	-	-



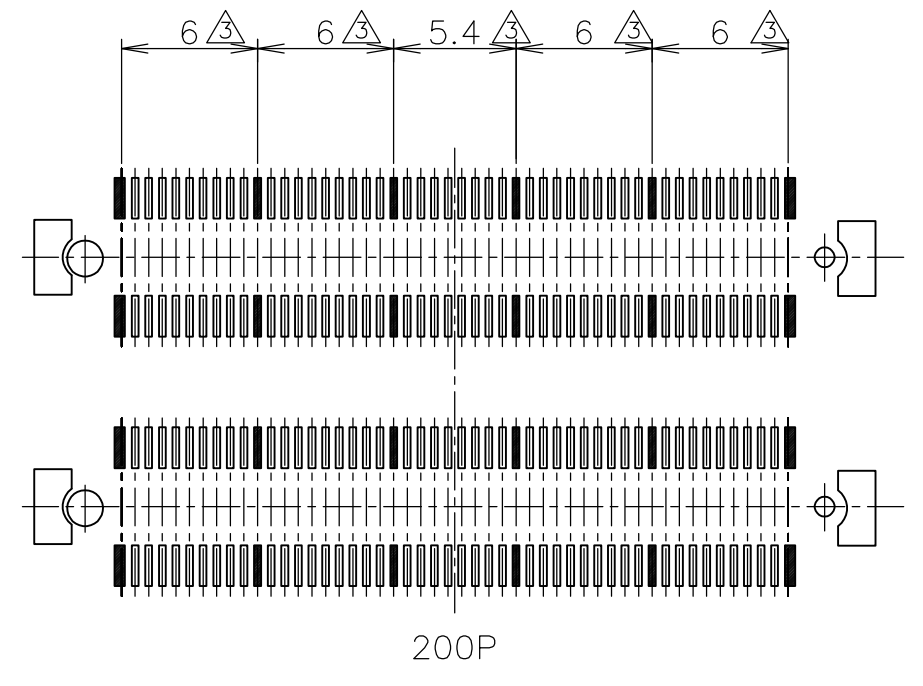
280P



240P



320P



200P

GENERAL TOLERANCE
一般公差

10 ≥	±0.2
30 ≥	>10: ±0.25
100 ≥	>30: ±0.3
ANGLES: ±3°	

THIS DRAWING IS A CONTROLLED DOCUMENT.		DWN		Tyco Electronics Corporation	
DIMENSIONS: 単位: 耗 mm		TOLERANCES UNLESS OTHERWISE SPECIFIED: 一般公差		Kawasaki, Japan	
		0 PLC ± -		NAME 名称	
		1 PLC ± -		EMBOSS ASSY	
		2 PLC ± -		FH 0.6BTB CONNECTOR	
		3 PLC ± -		PLUG 4H 2ROW TYPE W/G-PLATE	
MATERIAL 材料		4 PLC ± -		SIZE	
		ANGLES ± -		A3	
FINISH 仕上		± -		CAGE CODE	
				00779	
		WEIGHT		DRAWING NO 番号	
		CUSTOMER DRAWING		G-5353231	
		RESTRICTED TO		SCALE 尺度 3:1	
				SHEET 3 OF 3	
				REV A	